



DENALI Plow Mount MA11719 Honda Pioneer 1000

Thank you for purchasing our DENALI plow mount. You now own a premium custom plow mount to allow you to use your plow with your SxS. Please note the following instructions and heed all warnings.

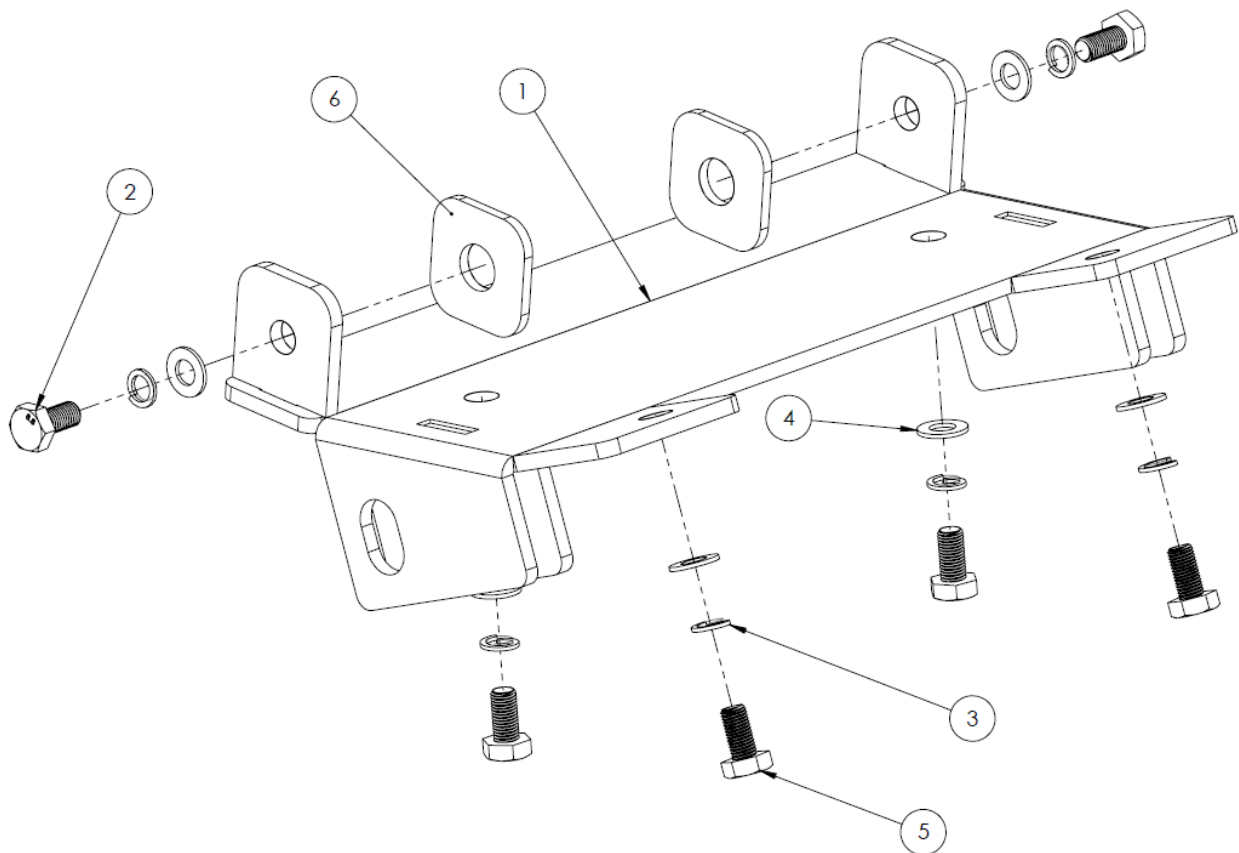
- Your UTV/SxS and/or plow system can cause death or injury, please use caution and common sense when operating your unit.
- Read your Plow Operator Manual, your Winch Operator Manual, and all warning labels before operating your UTV/SxS.
- Operate your UTV/SxS at a walking speed with the blade installed. Do not exceed 5 mph (8 km/h), even with the blade up.
- Do not operate the UTV/SxS on slopes greater than 10 degrees with the plow installed.
- Always lower the plow to the down position before leaving your UTV/SxS unattended.

SEVERE INJURY OR DEATH MAY RESULT IF YOU ARE NEGLIGENT.

Please verify that all hardware and parts are included in your package.

Kit Contents:

Item Number #	Quantity	Part Number
1	1	MA11719 Plow Mount
2	2	M10-1.25 x 35mm Hex Head Bolt
3	6	M10 Lock Washer
4	6	M10 Flat Washer
5	4	M10-1.25 x 25mm Hex Head Bolt
6	2	¼" Bumper Spacer





Honda Pioneer 1000 Installation Instructions

1. On each side of the machine remove the M10 Flange Bolts on the bottom of the bumper (Figure 1). Set these bolts aside as they will be replaced with the provided M10-1.25 x 25mm Hex Head Bolts.



Figure 1



2. Lift the front of MA11719 Plow Mount into place so that the front two tabs line up with the bolt holes from Step 1. Use the two M10 x 35mm Hex Head Bolts, two of the M10 Lock Washers, two of the M10 Flat Washers, and the two 1/4" Bumper Spacers to secure the MA11719 Plow Mount into the holes in the bottom of the bumper as shown circled red in Figure 2. **Note: Some machines will not need the 1/4" Bumper Spacers depending on what other aftermarket accessories are installed on the machine.** **Do not tighten down at this point.**



Figure 2

3. With the front of the mount pinned up, lift the back MA11719 Plow Mount into place flush with the bottom of the machine. Use four of the M10 Hex Head Bolts, four of the M10 Lock Washers, and four of the M10 Flat Washers, to secure the MA11719 Plow Mount to the weld-nuts in the bottom of the machine (Figure 3). **Do not tighten down at this time.**



Figure 3

4. Verify that the MA11719 Mount Plate fits securely to the vehicle frame then tighten down all hardware.
5. Attach the plow using the quick release pins (as shown in Figure 2) included with DENALI Plow Kits.
6. After the first use of your plow, check and retighten all hardware at least once, in case your frame has flexed and the Plow Mount has loosened.